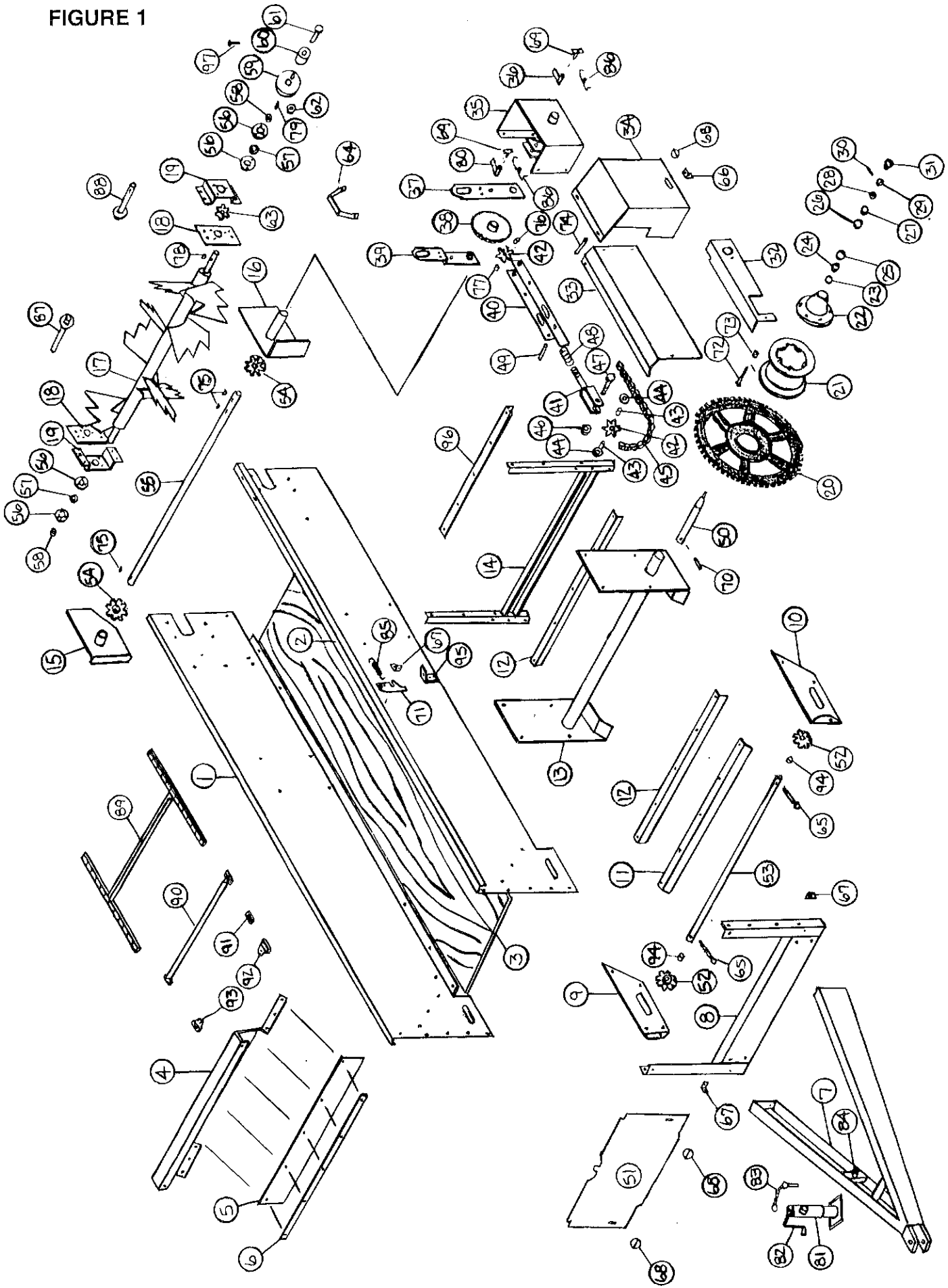


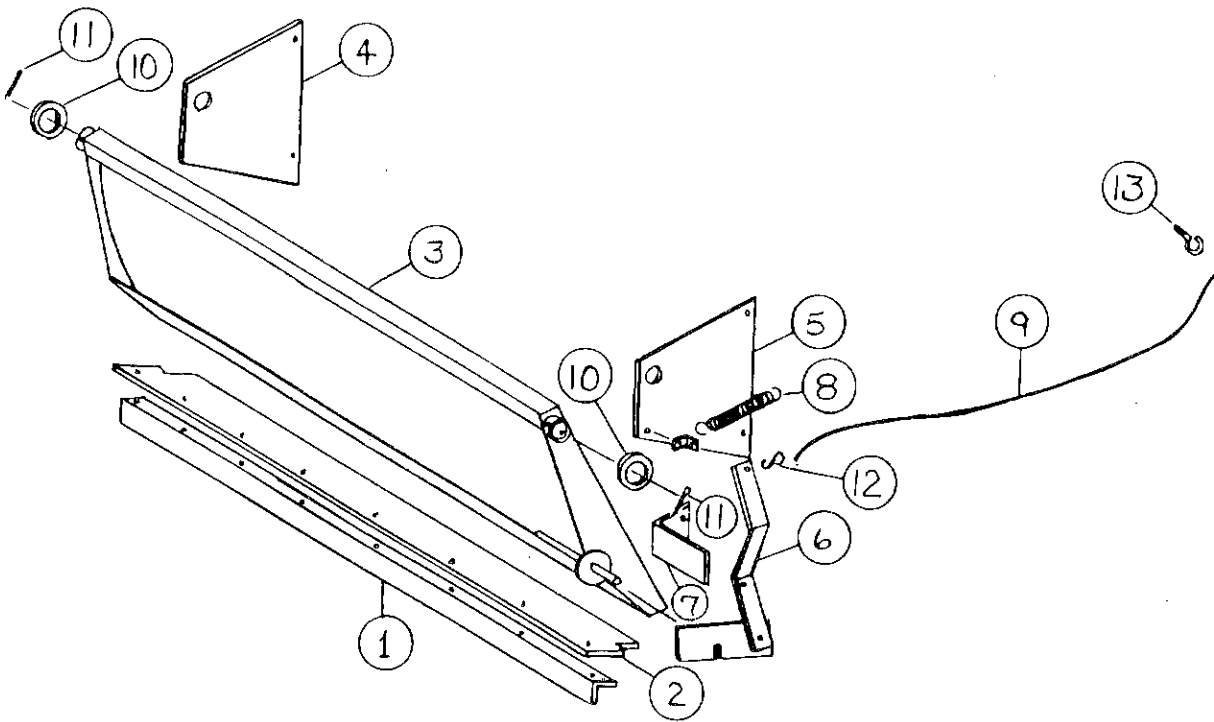
FIGURE 1



**FIGURE 1
50/80 BUSHEL SPREADER**

ITEM	50 PART #	80 PART #	DESCRIPTION	ITEM	50PART #	80 PART #	DESCRIPTION
1.	5N2	"	RH Tub Side	52.	L10R20	12N65	Apron Chain Sprocket
2.	5N1	"	LH Tub Side	53.	5N22	80G15	Apron Front Shaft
3.	5N43	80G1	Floor	54.	5N42	80N63	Apron Drive Sprocket
4.	5N5	80G2	Front Panel	55.	5N25	80G16	Apron Drive Shaft
5.	5N45	12N69	Front Seal	56.	4C7	"	Flange
6.	5N44	80N66	Front Seal Band	57.	4C8	"	Bearing
7.	5N6	80N14	Pole Assembly	58.	4C9	"	Lock Collar
8.	5N10	80G3	Front Support	59.	5N23	"	Beater Cam Hub
9.	5N8	"	Apron Chain Tightener RH	60.	T66	"	Cam Bearing
10.	5N9	"	Apron Chain Tightener LH	61.	HSB28	"	Bolt 5/8" x 2-1/2" GR.5
11.	5N7	80G4	Front Shaft Cover	62.	5N60	"	Flange Nut
12.	5N4	80G5	Floor Brace	63.	5N52	"	Beater Sprocket
13.	5N15	80G6	Axle Assembly	64.	5N50	"	Beater Mount Re-enforcement
14.	5N3	80G7	Rear Support	65.	A9	"	Tightener Bolt
15.	5N11	80G8	RH Rear Apron Bracket	66.	5N53	"	Back Shield Angle
16.	5N12	80G9	LH Rear Apron Bracket	67.	5N68	"	Front Shield Angle
17.	5N18	80G10	Beater	68.	F56	"	Clip Pin
18.	5N49	80G11	Beater Mount Seal	69.	5N26	"	Dog Pin
19.	5N16	"	Beater Bracket	70.	12V59	"	Roll Pin 3/8" x 2-3/4"
20.	5N40	"	Sprocket 41T	71.	5N35	"	Latch
21.	5N19	80G12	Hub Drum	72.	RG102	"	Stud LH
22.	5N41	80G13	LH Wheel Hub	* BFR143	RG102	"	Stud RH
* BFR60	RG101	"	RH Wheel Hub	73.	BFR144	"	Stud Nut
23.	BFR57	12N17	Seal	74.	5N36	"	Shield Spacer
24.	BFR58	12N18	Inner Bearing	75.	G12	"	Key 5/16" x 1"
25.	BFR59	12N19	Inner Race	76.	5N29	"	Outside Bushing
26.	BFR61	12N20	Outer Race	77.	5N30	"	Inside Bushing
27.	BFR62	12N25	Outer Bearing	78.	5B10	"	Key 1/4" x 1"
28.	BFR63	B4	Washer	79.	S135	"	Key
29.	BFR64	B3	Nut	80.	5N51	"	Drive Dog W/45 Degree Zerk
30.	BFR65	B31	Cotter Pin	81.	B42	12N11	Jack
31.	BFR66	12N23	Hub Cap	82.	BFR3	12N12	Jack Handle
32.	5N39	"	Rotary Shield	83.	BFR4	12N13	Jack Pin & Chain
33.	5N33	"	Stationary Shield	84.	12N14	12N14	Jack Mount
34.	5N32	"	Rear Shield	85.	12R3	"	Spring
35.	5N17	"	LH apron Mechanism Cover	86.	23N186	"	Dog Spring
36.	5N20	"	Holding Dog W/Straight Zerk	87.	5N58	80G17	RH Beater Stub Shaft
37.	5N13	"	Reciprocator Face	88.	5N59	80G18	LH Beater Stub Shaft
38.	5N21	"	Ratchet Gear	89.	5N47	80G19	Apron Chain (50 bu. 62H/80 bu. 67H)
39.	5N14	"	Reciprocating Arm	90.	5N48	80N62	Slat W/Attachment Link
40.	5N28	"	Pivot Arm	91.	L10R33	11S25	Connector Link 62H/67H
41.	5N27	"	Idler Spring Bracket	92.	L10R37	11S23	Attachment Link LH 62H/67H
42.	5N56	"	Idler Sprocket	93.	L10R38	11S24	Attachment Link RH 62H/67H
43.	5N31	"	Sliding Idler Spacer	94.	5N24	12N66	Front Apron Shaft Spacer
44.	5N62	"	Washer 3/4"	95.	ST33	"	Angle
45.	5N57	"	Chain	96.	5N69	"	Drive Shaft Cover
46.	HE7	"	Lock Nut 3/4"	97.	S84	"	5/16" x 2-1/2" GR.5 Bolt
47.	5N55	"	Bolt 3/4" x 3-1/2" GR.5	* 5N46	"	"	Tire-Tractor Lug
* 48.	S109	"	Spring	* 5N63	RG127	"	Wheel 15 x 6
49.	5N34	"	Pivot Arm Spacer	NOTE: * (Means Not Shown)			
50.	5N61	12N16	Spindle	" (Means Same as Preceding Number)			
51.	5N54	80G14	Front Shield	- (Means Not Used on This Model)			

FIGURE 2



**OPTIONAL PAN
50/80 BUSHEL SPREADER**

ITEM	50 BU. PART #	80 BU. PART #	DESCRIPTION
1.	5N64	12N52	Pan Angle
2.	5N65	12N53	Pan Rubber
3.	5N66	80N1	Pan
4.	80N2	"	LH Pan Plate
5.	80N3	"	RH Pan Plate
6.	5N67	"	Pan Handle
7.	80N5	"	Pan Handle Stop
8.	R27	"	Pan Handle Spring
9.	80N6	"	Trip Rope
10.	R3	"	Pan Spacer
11.	R70	"	Cotter Pin
12.	R31	"	"S" Hook
13.	23N213	"	"I" Bolt

NOTE: " (Means Same as Preceding Number)